

Specifications

Electrical Ratings	50mA @ 48VDC
Electrical Life	500,000 cycles typical
Contact Resistance	<50mΩ initial
Actuation Force	160 ± 50gF 260 ± 50gF

Actuator Travel	.25 ± 0.10mm
Dielectric Strength	250Vrms min
Insulation Resistance	>100MΩ min
Operating Temperature	-40°C to 85°C
Storage Temperature	-40°C to 85°C

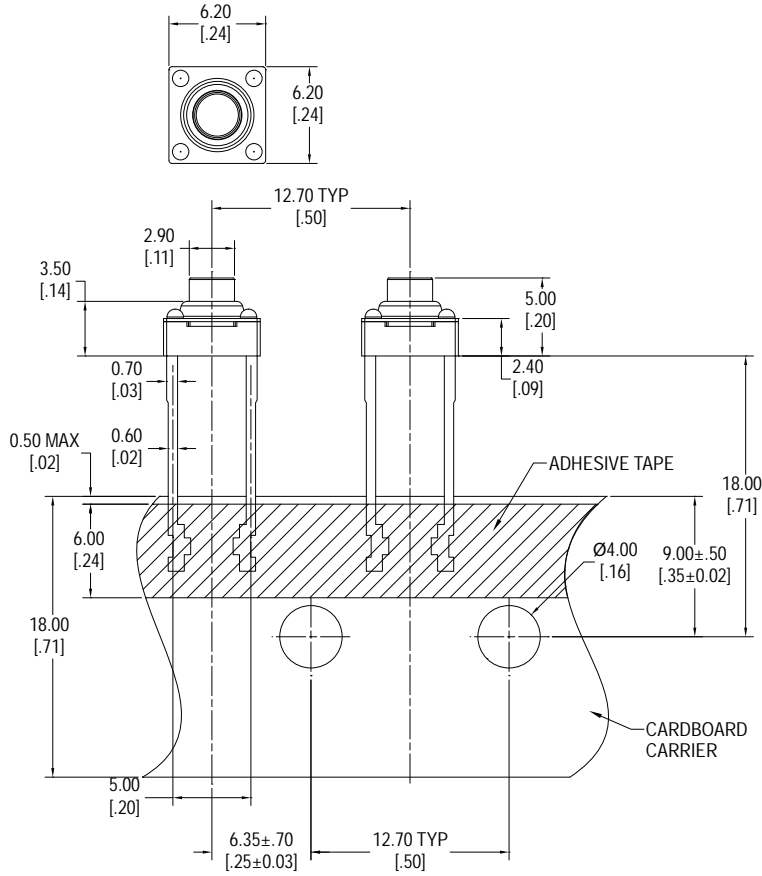
Materials

Actuator	Polybutylene Terephthalate (PBT)
Housing	Polybutylene Terephthalate (PBT)
Seal	Silicone, Rubber
Cover	Brass, Tin Plated
Contacts	Stainless Steel, Silver Plated
Terminals	Copper Alloy, Silver Plated

Ordering Information

1. Series	STK	5.0	L	G
STK				
2. Actuator Height				
4.3 = 4.3mm				
5.0 = 5.0mm				
7.0 = 7.0mm				
3. Contact Options				
L = Stainless Steel dome				
4. Actuation Force				
F160 = 160gF				
F260 = 260gF				

Dimensions



Schematic & PC Layout

